

**EURO connectors FT80:**

Twin plug and socket connectors FT80 to Euro-standard EN 1175-1, 150V, 80A, IP23

SOCKET - ON THE BATTERY**Socket**

(housing with female contacts, without aux. contacts)

16 mm² **105TA4681**
25 mm² **106TA9906**Length : 68 mm
Width : 52 mm
Height : 23 mm**PLUG - VEHICLE /CHARGER****Plug**

(housing with male contacts, without aux. contacts)

16 mm² **105TA4680**
25 mm² **106TA9905**Length : 69 mm
Width : 52 mm
Height : 23 mm**HANDLE****Handle****107TA7664****CONTACTS****Contacts**1. FEMALE CONTACT
16 mm² **106TA9909**
25 mm² **106TA9910**2. MALE CONTACT
16 mm² **106TA9907**
25 mm² **106TA9908***sold per piece***AUX. CONTACT KIT****Aux. contact kit**3. FEMALE AUX. CONTACT KIT
106TA99124. MALE AUX. CONTACT KIT
106TA9911*sold per kit*



DIN connectors 80A:

Twin plug and socket connectors EN1175-1, DIN 43589, 150V, 80A, IP23

SOCKET - ON THE BATTERY



Black socket with fixed handle

(housing with female contacts, without aux. contacts)

16 mm² **112TA4818**
25 mm² **112TA4819**

SOCKET - ON THE BATTERY



Black socket

(housing with female contacts, without aux. contacts)

16 mm² **106TA9915**
25 mm² **106TA9916**

Length : 74 mm
Width : 77 mm
Height : 25 mm

PLUG - VEHICLE / CHARGER



Black plug

(housing with male contacts, without aux. contacts)

16 mm² **106TA9913**
25 mm² **106TA9914**

Length : 69 mm
Width : 52 mm
Height : 23 mm

HANDLE



Handle

107TA7665



PLUG - VEHICLE / CHARGER



Red plug

REMA

(housing with male contacts, without aux. contacts)

16 mm² **112TA4820**
25 mm² **112TA4821**

SOCKET - ON THE BATTERY



Red socket with fixed handle

(housing with female contacts, without aux. contacts)

16 mm² **112TA4945**
25 mm² **112TA4946**

Length : 129 mm
Width : 101 mm
Height : 44 mm

CONTACTS



Contacts

1. FEMALE CONTACT
16 mm² **106TA9919**
25 mm² **106TA9920**
2. MALE CONTACT
16 mm² **106TA9917**
25 mm² **106TA9918**

sold per piece

AUX. CONTACT KIT



Aux. contact kit

3. FEMALE AUX. CONTACT KIT
106TA9922
4. MALE AUX. CONTACT KIT
106TA9921

sold per kit



DIN connectors 160A:

Twin plug and socket connectors EN1175-1, DIN 43589, 150V, 160A, IP23

SOCKET - ON THE BATTERY



Socket with fixed handle

(housing with female contacts, without aux. contacts)

- 25 mm² **106TA9926**
- 35 mm² **106TA9927**
- 50 mm² **106TA9928**

Length : 165 mm
Width : 101 mm
Height : 61 mm

SOCKET - ON THE BATTERY



Socket

(housing with female contacts, without aux. contacts)

- 25 mm² **112TA4822**
- 35 mm² **112TA4823**
- 50 mm² **112TA4824**

Length : 103 mm
Width : 90 mm
Height : 31 mm

PLUG - VEHICLE/CHARGER



Plug

(housing with male contacts, without aux. contacts)

- 25 mm² **106TA9923**
- 35 mm² **106TA9924**
- 50 mm² **106TA9925**

Length : 97 mm
Width : 90 mm
Height : 34 mm

HANDLE



Handle

106TA9937

CONTACTS



Contacts

- | | |
|--|--|
| <p>1. <u>FEMALE CONTACT</u>
25 mm² 106TA9932
35 mm² 106TA9933
50 mm² 106TA9934</p> | <p>2. <u>MALE CONTACT</u>
25 mm² 106TA9929
35 mm² 106TA9930
50 mm² 106TA9931</p> |
|--|--|

AUX. CONTACT KIT



Aux. contact kit

- | | |
|---|---|
| <p>3. <u>FEMALE AUX. CONTACT KIT</u>
106TA9936</p> | <p>4. <u>MALE AUX. CONTACT KIT</u>
106TA9935</p> |
|---|---|



REMA

DIN connectors 320A:

Twin plug and socket connectors EN1175-1, DIN 43589, 150V, 320A, IP23

DIN CONNECTORS 320 A

SOCKET - ON THE BATTERY



Socket with snap handle

(housing with female contacts, without aux. contacts)

50 mm² **112TA4825**
70 mm² **112TA4826**
95 mm² **112TA4827**

Length : 165 mm
Width : 101 mm
Height : 78 mm

SOCKET - ON THE BATTERY



Socket

(housing with female contacts, without aux. contacts)

50 mm² **106TA9940**
70 mm² **105TA4683**
95 mm² **106TA9941**

Length : 129 mm
Width : 92 mm
Height : 38 mm

PLUG - VEHICLE/CHARGER



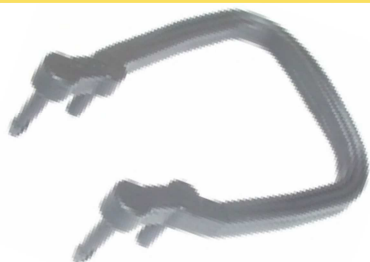
Plug

(housing with male contacts, without aux. contacts)

50 mm² **105TA4682**
70 mm² **106TA9938**
95 mm² **106TA9939**

Length : 129 mm
Width : 92 mm
Height : 40 mm

HANDLE



Handle

106TA9937

CONTACTS



Contacts

1. FEMALE CONTACT
50 mm² **106TA9945**
70 mm² **106TA9946**
95 mm² **106TA9947**

2. MALE CONTACT
50 mm² **106TA9942**
70 mm² **106TA9943**
95 mm² **106TA9944**

AUX. CONTACT KIT



Aux. contact kit

3. FEMALE AUX. CONTACT KIT
106TA9949

4. MALE AUX. CONTACT KIT
106TA9948



SOCKET (FEMALE) WITH AIR SUPPLY SYSTEM AND HANDLE

air



PLUG (MALE) WITH AIR SUPPLY SYSTEM

air



DIN connectors IP23 with air supply system:

SOCKET (FEMALE):

REMA

Compl. connector (housing + adaptor + handle + contact set)

Cable size mm ²	80 A	160 A	320 A
16	106TA9965		
25	106TA9966	106TA9974	
35		106TA9967	
50		105TA4684	106TA9975
70			106TA9976
<u>Blue adaptor:</u>	106TA9968	106TA9977	106TA9982
<u>Aux. contact (1 piece):</u>	106TA9969	105TA4685	106TA9983

PLUG (MALE):

Compl. connector (housing + adaptor + contact set)

Cable size mm ²	80 A	160 A	320 A
16	106TA9970		
25	106TA9971	106TA9978	
35		106TA9979	
50		106TA9980	106TA9984
70			106TA9985
<u>Blue adaptor:</u>	106TA9972	106TA9981	106TA9986
<u>Aux. contact (1 piece):</u>	106TA9973	106TA9973	106TA9987

Remark: the main contacts and handles are interchangeable with the standard DIN connectors.

DIN connectors IP65:

- These battery connectors are totally protected against ingress of dust and low pressure water jets.
- Certificate; ISSEP PV8059



SOCKET (FEMALE)



160 A **112TA4828**
320 A **112TA4829**

PLUG (MALE)



160 A **112TA4830**
320 A **112TA4831**



ANDERSON DIN-connectors:

TWIN PLUG SOCKET CONNECTORS EN1175 - 1, DIN 43589, 150V, IP23

COMPLETE RANGE IS ALSO AVAILABLE WITH AIR SUPPLY SYSTEM AND AUXILLIARY CONTACTS, PLEASE CALL US FOR MORE INFORMATION!

EBC 80 AMP

COMPLETE CONNECTORS (Housing with 2 contacts, without aux.contacts)

PLUG



16mm² **116TA6045**
25mm² **116TA6046**

SOCKET



16mm² **116TA6047**
25mm² **116TA6048**

NEW IN PROGRAM

HANDLE: **116TA6049**

MAIN CONTACTS (SOLD PER PIECE)

Wire Size	Pin contact	Socket contact
16mm ²	116TA6050	116TA6052
25mm ²	116TA6051	116TA6053

SPECIAL OFFER

EBC 160 AMP

COMPLETE CONNECTORS (Housing with 2 contacts, without aux.contacts)

PLUG



25mm² **116TA6054**
35mm² **116TA6055**
50mm² **116TA6056**

SOCKET



25mm² **116TA6057**
35mm² **116TA6058**
50mm² **116TA6059**

NEW IN PROGRAM

HANDLE: **116TA6060**

MAIN CONTACTS (SOLD PER PIECE)

Wire Size	Pin contact	Socket contact
25mm ²	116TA6061	116TA6064
35mm ²	116TA6062	116TA6065
50mm ²	116TA6063	116TA6066

SPECIAL OFFER

EBC 320 AMP

COMPLETE CONNECTORS (Housing with 2 contacts, without aux.contacts)

PLUG



50mm² **116TA6067**
70mm² **116TA6068**

SOCKET



50mm² **116TA6069**
70mm² **116TA6070**

NEW IN PROGRAM

HANDLE: **116TA6071**

MAIN CONTACTS (SOLD PER PIECE)

Wire Size	Pin contact	Socket contact
50mm ²	116TA6072	116TA6074
70mm ²	116TA6073	116TA6075

SPECIAL OFFER

ANDERSON DIN-CONNECTOR



A: TYPE ANDERSON



Battery connector type Y:

A: Type ANDERSON

Fig	Type	Wire size mm ²	Reference
1+2	Plug (aluminium) with contact set	70	106TA9959
2	Contact set	70	106TA9960
3+4	Plug (polycarbonate) with contact set	70	106TA9961
4	Contact set	70	106TA9962
5+6	Receptacle (with contact set)	70	106TA9963
6	Contact set	70	106TA9964

B: USED FOR FENWICK



B: Used for FENWICK

Fig	Type	Wire size mm ²	Reference
7+8	Plug (aluminium) with contact set	50	106TA9950
8	Contact set	50	106TA9951
9	Aux. contact set		106TA9952
10+11	Receptacle (rubber) with contact set	50	106TA9953
11	Contact set	50	106TA9954
12	Aux. contact set		106TA9955
13+14	Receptacle with contact set	50	106TA9956
14	Contact set	50	106TA9957
15	Aux. contact set		106TA9958

ON THE BATTERY



Battery connectors used for "BALKANCAR"

Amp.	Wire size (mm ²)	Reference
100 A	25	112TA4834
200 A	35	112TA4836
300 A	50	112TA4838

VEHICLE / CHARGER



Amp.	Wire size (mm ²)	Reference
100 A	25	112TA4835
200 A	35	112TA4837
300 A	50	112TA4839



Battery connector type Y:

C: Type "REMA" (polyamide)

Complete connector: (housing and contacts)

Fig	Type	Nominal	Destination amperage	Wire size	Reference
1	Plug (male)	160 A	battery	35 mm ²	106TA9988
		200 A	battery	50 mm ²	105TA4686



2	Socket (female) Fixing holes distance : 82,6 x 48 mm and 80 x 35 mm	160 A	truck	35 mm ²	106TA9989
		200 A	truck	50 mm ²	105TA4687



3	Charger socket (female)	160 A	charger	35 mm ²	106TA9990
		200 A	charger	50 mm ²	105TA4688

Complete connector: (housing and contacts)

Fig	Type	Nominal	Destination amperage	Wire size	Reference
4	Socket (female)	160 A	battery	35 mm ²	106TA9991
		200 A	battery	50 mm ²	106TA9992



5	Plug (male) Fixing holes distance: 82,6 x 48 mm	160 A	truck	35 mm ²	106TA9993
		200 A	truck	50 mm ²	106TA9994



5	Plug (male) Fixing holes distance: 80 x 35 mm	160 A	truck	35 mm ²	106TA9995
		200 A	truck	50 mm ²	106TA9996



6	Charger plug (male)	160 A	charger	35 mm ²	106TA9997
		200 A	charger	50 mm ²	106TA9998

Remark: These connectors are supplied with crimpable contacts

Separate contacts: see next page



CONTACT PIN M ALE



CONTACT PIN FE M ALE



TYPE RAVIOLI



Battery connectors type Y:

Contact pin male (for type 1, 5 and 6 - see previous page)

Type	Cable size	Reference
Crimp	35 mm ²	106TA1005
	50 mm ²	106TA1006
Solder	35 mm ²	107TA1004
	50 mm ²	107TA1005

Contact tube female (for type 2, 3 and 4 - see previous page)

Type	Cable size	Reference
Crimp	35 mm ²	107TA1006
	50 mm ²	106TA1010
Solder	35 mm ²	106TA1011
	50 mm ²	106TA1012

D: Type "RAVIOLI":

Complete connector (housing + contact set):

Fig	Type	Cable size	Reference
1 + 3	Socket (female)	50 mm ²	106TA9999
2 + 4	Plug (male)	50 mm ²	107TA7675

Contact set:

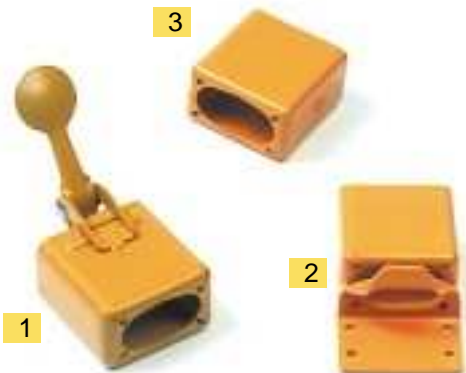
3	Female	50 mm ²	107TA1001
4	Male	50 mm ²	107TA1002

Aux. contact set:

No photo	Aux. (female)	106TA1003
No photo	Aux. (male)	107TA1003



CONNECTORS TYPE E



Connectors type E

Complete connectors: (housing + contacts)

Fig	Type	Wire size AWG	Wire size mm ²	Reference
1+4+6	Locking half	2/0	70	106TA1018
2+4+6	Mounting half	2/0	70	106TA1019
3+4+6	Charging half	2/0	70	106TA1020
1	Locking half			106TA1021
2	Mounting half			106TA1022
3	Charging half			106TA1023

Contact sets:

Fig	Wire size AWG	Wire size mm ²	Reference
4	2	35	106TA1024
	2/0	70	106TA1025
	4/0	107	106TA1026

Auxiliary contact set:

Fig	Wire size AWG	Wire size mm ²	Reference
5	14	2,5	106TA1027

Accessories:

Fig	Type	Reference
6	Insulation block	107TA1009
7	Cable clamp	106TA1029
8	Cable gland	106TA1030

BATTERY CONNECTOR
"SCHALTBAU" TYPE LZ

Battery connector "SCHALTBAU" type LZ:

Fig	Type	Reference
9	Housing	106TA1013
10	Handle	107TA1007
11	Contact set	107TA1008
12	Aux. contact set (male)	106TA1016
13	Aux. contact set (female)	106TA1017

BATTERY CONNECTORS
"BERG" CAST ALUMINIUM

1

Battery connectors "BERG" cast
aluminium

Fig	Type	Amp.	DIN	Reference
1	Charging connector with handle with bushes (female)	160 A	43584	105TA4689
		125 A	43586	106TA1037
2	Charging plug with contact pins (male)	160 A	43581	105TA4690
		125 A	43571	107TA1015
3	Built-in charging appliance inlet with contact pins (male)	160 A	43584	106TA1041
		125 A	43586	106TA1042
4	Built-in charging outlet with contact bushes (female)	160 A	43581	106TA1038
		125 A	43571	107TA1014
5	Charging plug inserts (male)	160 A		106TA1043
		125 A		106TA1044
6	Charging socket (female)	160 A		106TA1045
		125 A		106TA1046

2

3



4

5



6





CONNECTORS TYPE "CABLEFOR M"



1

2

CONNECTORS USED FOR TYPE "BT"



3

4

SINGLE-POLE CONNECTORS TYPE BK "SCHALTBAU"



6

5

8

7

9

10

Connectors type "CABLEFORM"

Fig	Colour	Wire size	Reference
1	red	50 mm ²	106TA1059
2	black	50 mm ²	106TA1060

Connectors used for type "BT"

Fig	Type	Reference
3	female connector	106TA1057
4	male connector	106TA1058

Single pole connectors "SCHALTBAU" type BK

Fig	Type	Cable size	Reference
5	female (+ pole)	95 mm ²	106TA1051
6	female (- pole)	95 mm ²	106TA1052
7	male (+ pole)	95 mm ²	106TA1053
8	male (- pole)	95 mm ²	106TA1054
9	male flange (+ pole)	95 mm ²	106TA1055
10	male flange (- pole)	95 mm ²	106TA1056

CONNECTORS USED FOR TCM FORKLIFTS



11

12

Connectors used for JAPANESE forklifts:

Fig	Type	Reference
11	4-pole 20 A - 250 V	106TA1049
12	4-pole 30 A - 250 V	107TA1016

CONNECTORS USED FOR TOYOTA FORKLIFTS



13

14

15

16

Connectors used for JAPANESE forklifts:

Fig	Type	Reference
13	female 4-pole 30 A - 250 V	112TA4832
14	female 5-pole 30 A - 250 V	106TA1047
15	male 4-pole 30 A - 250 V	106TA1048
16	male 5-pole 30 A - 250 V	112TA4833

**EX-PROOF connectors :**

Flame proof single-pole connector according EN 50014 and 50019, 250 V, 200 A



EX PLUG

	Plug positive	Plug negative	
50 mm ²	112TA4947	112TA4840	Max. length : 136 mm Max. Ø : 50 mm Max. weight : 330 g
70 mm ²	112TA4948	112TA4841	

EX PLUG WITH CODING SYSTEM

	Plug positive	Plug negative	
50 mm ²	112TA4949	112TA4842	Max. length : 136 mm Max. Ø : 50 mm Max. weight : 330 g
70 mm ²	112TA4950	112TA4843	



EX SOCKET WITH SCREW-CONNECTION

M12	112TA4844	Max. length : 76 mm Max. Ø : 50 mm Max. weight : 195 g
-----	------------------	--

EX SOCKET WITH SCREW-CONNECTION, WITH CODING SYSTEM

M12	112TA4845	Max. length : 76 mm Max. Ø : 50 mm Max. weight : 195 g
-----	------------------	--



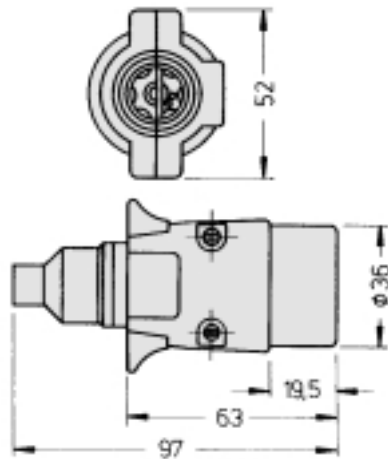
ACCESSORY

ASSEMBLY TOOL FOR SOCKET REF **112TA4846**



UNIVERSAL TRAILER PLUG

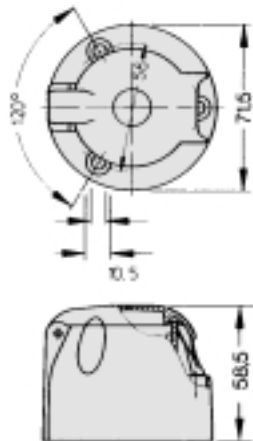
Synthetic housing: 5 pole DIN 72576 (ISO 1724) 7 pole DIN 72577 (ISO 1724)	REF 106TA6330 REF 106TA6331
Metal housing: 5 pole DIN 72576 (ISO 1724) 7 pole DIN 72577 (ISO 1724)	REF 106TA6332 REF 106TA6333



TRAILER CONNECTORS

UNIVERSAL TRAILER SOCKET

Synthetic housing: 5 pole DIN 72576 (ISO 1724) 7 pole DIN 72577 (ISO 1724)	REF 106TA6334 REF 106TA6335
Metal housing: 5 pole DIN 72576 (ISO 1724) 7 pole DIN 72577 (ISO 1724)	REF 106TA6336 REF 106TA6337





CONNECTOR SAVER

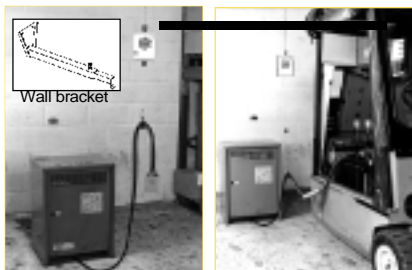
Potential problem:

Inadvertent damage to connectors and cabling results in high cost repairs and replacements.
Damaged cable is a fire and safety hazard.

The connector saver offers a simple and inexpensive solution to a problem common to all users of electric trucks.

Answer:

This is the only solution that retracts the cable safely whilst at the same time can ensure virtually no tension on the battery connection during the charging operation.
The complete kit with installation instructions includes: cable balance - cable clamp - wall bracket and fixings (several types available)



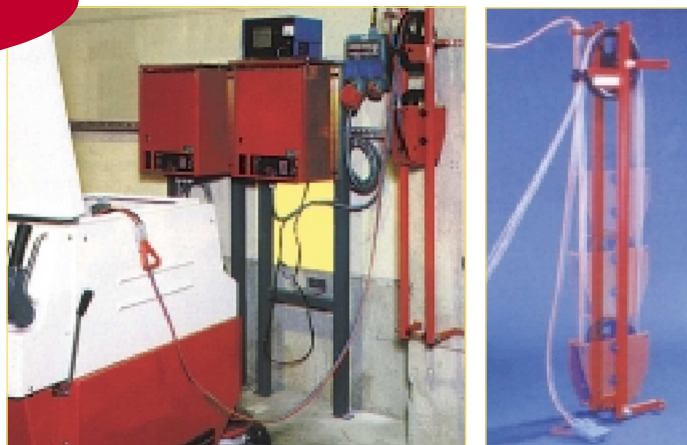
Pull back force	Cable length	Reference
1,8 kg	1,6 m	107TA1017
2,7 kg	2,0 m	107TA1018
3,6 kg	2,0 m	107TA1019
4,5 kg	2,4 m	107TA1020
6,8 kg	2,4 m	107TA1021

1,8 or 2,7 kg. pull back force is adequate for most applications.

CABLE REWINDER

- **Safety:** With a cable rewriter mounted in the charging bay it is easier to avoid accidents which otherwise could happen if cables were left laying on the floor after charging.

Keep the charging bay well organized with the special cable rewriter.



Description	Reference
Cable rewriter 16 mm ² without connector	105TA4851
Cable rewriter 25 mm ² without connector	107TA1022
Cable rewriter 35 mm ² without connector	107TA1023



TYPE A



W x H x L
130 x 100 x 117 mm

TYPE B



W x H x L
122 x 109 x 238 mm

TYPE C



W x H x L
180 x 135 x 356 mm

TYPE D



W x H x L
65 x 23 x 75 mm

TYPE E



W x H x L
110 x 88 x 250 mm

TYPE F



W x H x L
77 x 70 x 161 mm

TYPE G



W x H x L
110 x 88 x 300 mm



Several models are available,
with an **OUTPUT VOLTAGE**
of 12 V or 24 V and an **OUTPUT CURRENT**
of 5 Amps up to 62 Amps.

Some features:

- Regulated output voltage.
- Fully isolated output.
- Short-circuit protection.
- Large cooling heatsink.
- High efficiency.

DC-DC CONVERTOR HIGH INPUT - LOW OUTPUT	OUTPUT PERFORMANCE		TYPE	REFERENCE
DC DC 24 - 12	5 A	60 W	type D	107TA1024
DC DC 24 - 12	20 A	240 W	type E	107TA1025
DC DC 24 - 12	30 A	360 W	type G	106TA1070
DC DC 36 - 12	33 A	400 W	type B	106TA1071
DC DC 48 - 12	10 A	120 W	type F	111TA4013
DC DC 48 - 12	20 A	240 W	type A	106TA1074
DC DC 48 - 12	40 A	500 W	type B	106TA1075
DC DC 48 - 12	62 A	750 W	type C	107TA1028
DC DC 48 - 24	5 A	120 W	type F	111TA4014
DC DC 48 - 24	10 A	240 W	type A	111TA3905
DC DC 48 - 24	20 A	500 W	type B	106TA1079
DC DC 48 - 24	31 A	750 W	type C	107TA1031
DC DC 72 - 12	10 A	120 W	type F	107TA1032
DC DC 72 - 12	20 A	240 W	type A	112TA1151
DC DC 72 - 24	5 A	120 W	type F	111TA4015
DC DC 72 - 24	10 A	240 W	type A	112TA1152
DC DC 80 - 12	10 A	120 W	type F	111TA4016
DC DC 80 - 12	20 A	240 W	type A	106TA1085
DC DC 80 - 12	40 A	500 W	type B	106TA1086
DC DC 80 - 12	62 A	750 W	type C	107TA1034
DC DC 80 - 24	5 A	120 W	type F	111TA4017
DC DC 80 - 24	10 A	240 W	type A	106TA1088
DC DC 80 - 24	20 A	500 W	type B	106TA1089
DC DC 80 - 24	31 A	750 W	type C	107TA1035
DC DC 80 - 48	10 A	500 W	type B	107TA1039
DC-DC CONVERTOR LOW INPUT - HIGH OUTPUT	OUTPUT PERFORMANCE		TYPE	REFERENCE
DC DC 12 - 24	6 A	150 W	type A	112TA1153
DC DC 12 - 24	10 A	240 W	type B	112TA1154



NOISE FILTER



REF 111TA3906

As an option we recommend the installation of a voltage regulator for vehicles with impulse control and a motor output of 20 KW. This regulator must be incorporated between the supply voltage of the electro-vehicle and the DC-DC converter. This way noise and disturbance peaks are suppressed and an undisturbed and reliable running of the converter is guaranteed.

Specifications:	
Input voltage	15 V - 100 V
Output voltage	15 V - 100 V
Output current	7A
Insulation voltage	> 1,5 KV
Temperature range	-25°C / +60°C



DC-DC - CONVERTER USED FOR STEINBOCK / KO MATSU



REF 111TA3907

Dimensions : 85 x 52,4 x 130 mm

Efficiency up to 96%
Protected against thyristor-caused noise
Sealed unit with shockproof design
Parallel connectable
Reverse-polarity protection
Short-circuit protection
Overvoltage protection by transient suppressor
Ripple $\leq 100\text{mVss}$ / Spikes $\leq 200\text{mVss}$
Load regulation stat $<0,5\%$, dyn. $<2\%$
Natural convection
Metal package, screw mountable

Specifications:	
• Input	38 - 96 VDC
• Output	24 VDC
• Output performance	5A - 120 W

Accessories :

- Mating connector 4 pole : REF 111TA3908
- Mating pins 0,5 -2,1 mm²: REF 106TA9560



DC-DC - CONVERTER USED FOR STILL /WAGNER /JUNGHEINRICH



REF 111TA3909

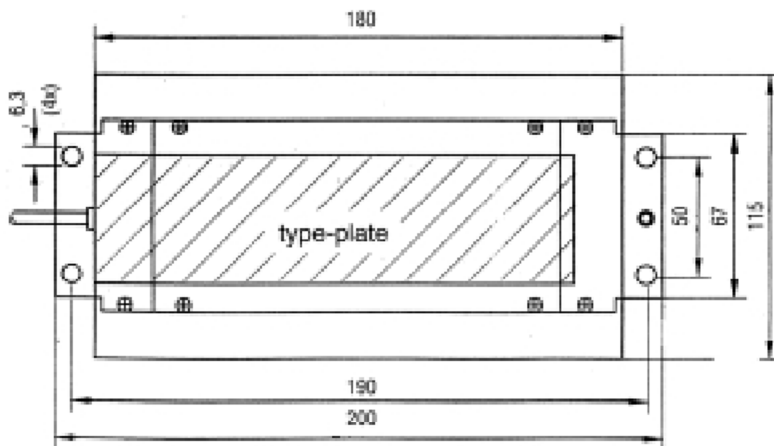
Dimensions : 90 x 37 x 90 mm

Specifications:	
• Input	28 - 100 VDC
• Output	24 VDC
• Output performance	13A - 300 W





DC-DC - CONVERTOR USED FOR LINDE



DC - DC CONVERTORS

REF 111TA3910

Specifications:

Input 57 - 150 VDC (80VDC)
 Output 13,8 VDC
 Output performance 18 A - 250 W



REF 111TA3911

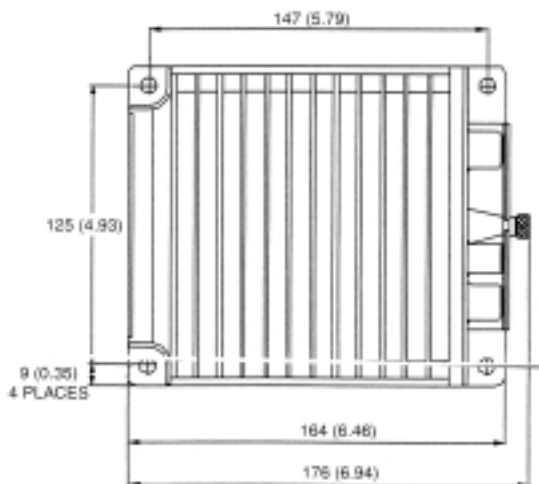
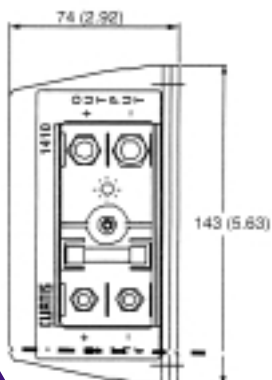
Specifications:

Input 33 - 93 VDC (48VDC)
 Output 13,8 VDC
 Output performance 18 A - 250 W



CURTIS - DC-DC - CONVERTORS

1 YEAR REPLACEMENT WARRANTY



DESCRIPTION

The 1400 Series DC-DC Converter applies advanced technology and is configured specifically for electric vehicles. Available in a range of 200W and 300W, the devices provide a precise regulated output of 12.0 or 24.0 volts for computer terminals and communication equipment. Provides 13.5 or 28.0 volts for driving lamps and charging auxiliary batteries.

INPUT	OUTPUT	OUTPUT PERFORMANCE	REF
24/36	12	25 A - 300 W	111TA3912
48/60	12	25 A - 300 W	111TA3913
	24	12,5 A - 300 W	111TA3914
72/96	12	25 A - 300 W	111TA3915
	28	12,5 A - 300 W	111TA3916



DCDC - CONVERTOR USED FOR CLARK

DC - DC CONVERTORS



Dimensions :
143 x 80 x 150 mm

REF 115TA4707

Specifications:	
Input	48 VDC
Output	12 VDC
Output performance	240 W

REF 115TA6866

Specifications:	
Input	80 VDC
Output	12 VDC
Output performance	240 W



For all our latest catalogue updates and company info:

www.tvh.be

or ask your on-line ordering and pricing connection with TVH

"TVH-QUICK SOURCE"

use e-mail: ecommerce@tvh.be for more info.



DC-AC POWER INVERTERS

Technical specifications :

- Output voltage : 230 VAC
- Input voltage : 12 VDC
- ON/OFF switch
- Low voltage protection :
if the voltage drops below 10,5 V an alarm will sound.
Below 9,8 V the inverter will automatically shut down.
- High voltage protection :
the inverter shuts down if the voltage comes above 15,6 V.



- High temperature protection :
if the internal temperature exceeds 70°C, the inverter will shut down. After a certain cooling period, the inverter can be restarted.
- Over load protection :
the inverter automatically shuts down if the maximum capacity is exceeded with aprox. 20%.
- Short circuit protection : all inverters have a replaceable fuse which will protect the inverter against wrong polarity or short circuit.



Max. continuous power (W)	Surge (capability W)	Dimensions mm H x L x W	Reference
150	300	141 x 110 x 38	115TA7006
200	400	166 x 126 x 52	115TA6931
400	800	209 x 126 x 52	115TA6932



Max. continuous power (W)	Surge (capability W)	Dimensions mm	Reference
500	1000	200 x 169 x 61	115TA7007
600	1200	225 x 169 x 61	115TA6933
800	1600	295 x 169 x 61	115TA7008
1000	2000	370 x 169 x 61	115TA6934
1200	2400	370 x 169 x 61	115TA7009



Max. continuous power (W)	Surge (capability W)	Dimensions mm	Reference
1500	3000	428 x 208 x 76	115TA7010
2000	3500	460 x 208 x 76	115TA7011



ACCESSORY :

REF 115TA6975

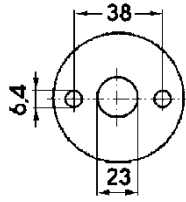
Universal adaptor for use in UK, USA, Denmark, Switzerland, Middle East, South America, Russia, Germany, Egypt, Italy, Australia and Taiwan.



100 A - 500 A (5 SEC.) 1-POLE (2 CONNECTIONS)



REF 107TA1095
plastic key - 1 side pin



REF 106TA1188
metal key

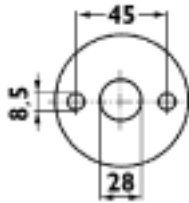
Switch plastic (with key) **REF 106TA1187**

Metal switch (with key) **REF 106TA1189**

150 A - 1000 A (5 SEC.) 1-POLE (2 CONNECTIONS)



Switch **REF 111TA3917**

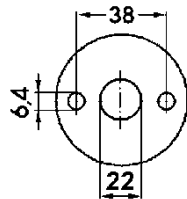


Switch with independent SM aux. contact
REF 112TA4853

250 A - 2500 A (5 SEC.) 1-POLE (2 CONNECTIONS)



Switch (with key) **REF 106TA1184**

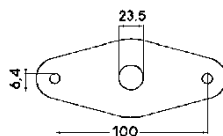


Key - 2 side pin **REF 107TA1094**
Key - 1 side pin **REF 107TA1095**

250 A CONTINUOUS - 2500 A (5 SEC.) 1-POLE (2 CONNECTIONS)



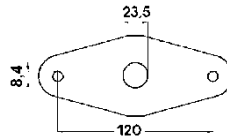
Switch (with key) **REF 106TA1183**



Key **REF 107TA1092**



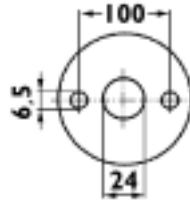
250 A - 2500 A (5 SEC.) 2-POLE (4 CONNECTIONS)



Key REF 107TA1092

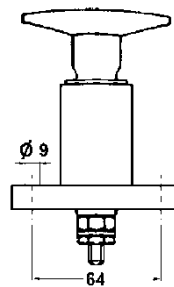
Switch (with key) REF 107TA1093

300 A - 2500 A (5 SEC.) 1-POLE (2 CONNECTIONS)



Switch REF 111TA3918

600 A CONTINUOUS - 4500 A (5 SEC.) 1-POLE (2 CONNECTIONS)



Switch REF 107TA1096

ACCESSORY

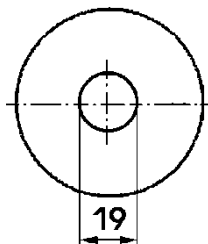


REF 107TA1097

Little chain to connect the key to the switch
(± 20 cm)

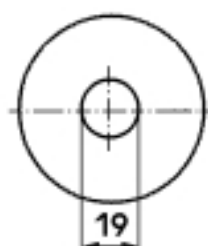


2 -POLE SWITCHES TO DISCONNECT BATTERY- AND FIELD CIRCUIT



Large studs 125 A continuous 1000 A (5 sec.) **REF 106TA1191**
 Small studs 20 A continuous
 Fits panels up to 5 mm thick.

2 -POLE SWITCHES TO DISCONNECT BATTERY- AND FIELD CIRCUIT



Large studs 125 A continuous 1000 A (5 sec.) **REF 106TA1190**
 Small studs 20 A continuous
 Fits panels up to 23 mm thick.

NOTE

Distribuiamo di Connettori per Batterie Trazione

Connettori bipolari per batterie trazione Ricambi carrelli elevatori - Batterie, ricambi elettrici e meccanici

Vendita Ricambi Connettori batterie

Ricambi per Batteria Trazione - Caricabatterie e Connettori batterie

Hai bisogno di aiuto per scegliere Connettori per Batterie Trazione ??? o per Connettori Bipolari per Batterie Trazione elettrica per Carrelli Elevatori, Muletti, Transpallet, Lavapavimenti, connettori per caricabatterie, Connettore batteria per uso Nautico **CONTATTACI** o Visita www.servizioricambi.com - o scrivi a: info@servizioricambi.com

Connettori DIN 80A maschio e femmina, DIN 160A maschio e femmina, DIN 320A maschio e femmina, connettori tipo SB/SBE/SBX colori rosso, grigio, blu, verde, nero, con portata 50A, 80A, 120A, 160A, 175A, 320A, 350A, Connettori Anderson, Connettore Batteria, Connettori Rema, Connettori Bipolari, Connettori Ravioli, Connettori SB, Connettori SBE, Connettori SBX, Connettori DIN, Connettori DIN Maschio, Connettori DIN Femmina, Connettori DIN 80A, Connettori DIN 160A, Connettori DIN 320A, Presa Maschio Femmina per Batterie, Connettori Anderson SBE320 – Visita : www.servizioricambi.com/prodotto/batterie/connettori-per-batterie-trazione/